

Made in the U.S.A.
turbo®

FILTRATION

Precleaners • Air Cleaners • Commercial • Military



turbo
 Precleaner
 Made in the U.S.A.

GREENLEES FILTER
 Division of Maradyne Corporation

EPAC™
 EXTENDED PERFORMANCE
 AIR CLEANER SYSTEM

NEW FOR 2013

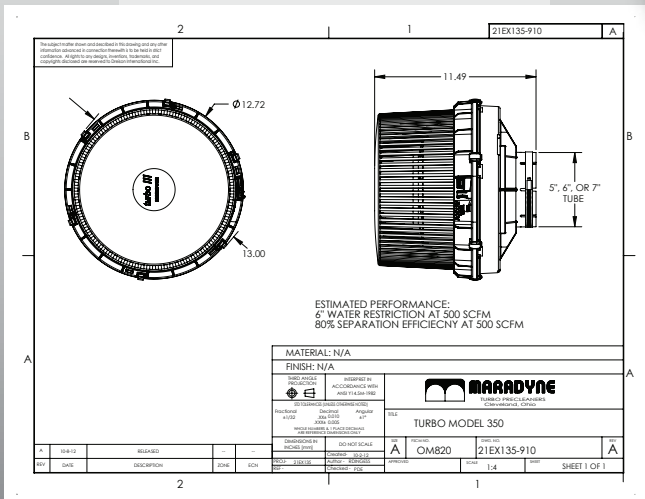
The Turbo 390

**Engine Air Intake
 Pre-Cleaner**



- 80% pre-separation efficiency* at 500 CFM and 5" H₂O restriction!
 14 m³/min & 12.4 mBar
- Durable, glass-filled nylon construction.
 Twist-lock, easy access

*tested according to ISO 5011, J726 Standard



Proudly distributed by:

EQUIPMENT
 PLACEMENT

www.equipmentplacement.com.au

Equipment Placement

Office: 11 Fairbrother Street, Belmont, WA, 6104

Postal: P.O Box 834, Cloverdale, WA, 6985

Phone: +61 8 9479 4988 Fax: +61 8 9479 4588

Web: sales@equipmentplacement.com.au



Precleaners • Air Cleaners • Commercial • Military

Model Specifications

	turbo® II				
	Model	Airflow range		Inlet size base	
		CFM	m3/min	Inches	mm
■ Durable steel construction	24	100-250	2.8-7.1	3" or 4"	76 or 102
■ Highest efficiency	35	250-350	7.1-9.9	4.5"	114
■ Spinner/bearings lifetime warranty	46	300-700	8.5-19.8	4.5", 5", 6"	114, 127, 152
■ The Original: The Best	68	700-1100	19.8-31.1	5", 6", 7", 8"	127, 152, 178, 203

All turbo® II models are available with a raincap or with a bull-nose • Material: Metal with powdercoat finish • Adaptors available

	turbo® III				
	Model	Airflow range		Inlet size base	
		CFM	m3/min	Inches	mm
■ Lighter and smaller	15	15-85	0.4-2.4	2"	51
■ Lower restriction	50	50-250	1.4-7.1	3" or 4"	76 or 102
■ Higher efficiencies	200	200-500	5.6-14.2	4.5" or 5"	114 or 127
■ Durable glass-filled nylon construction	390	300-700	8.5-19.8	5", 6", 7"	127, 152, 178
	500	500-1100	14.2-31.1	6", 7", 8"	152, 178, 203

NEW! →

All turbo® III models are available with raincap • Material: Polymer, 30% glass filled, engineered nylon

	turbo® PowerRam				
	Model	Airflow range		Inlet size base	
		CFM	m3/min	Inches	mm
	L	500-1500	14.2-42.5	6', 7", 8"	152, 178, 203

