



TRW

RIMS FOR MINING AND CONSTRUCTION EQUIPMENT

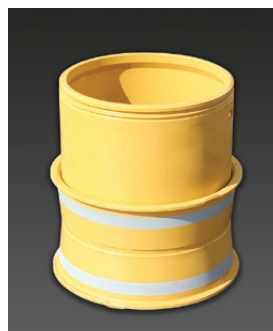
TRW is a well established manufacturer of high quality industrial wheel rims for mining and construction. Designed and built using the latest design, modelling, Finite Element Analysis and CNC techniques, TRW wheel rims are the ideal product when your OEM rims are no longer fit for purpose, or if you need to upgrade to a better rim/tyre combination.

TRW rims are manufactured to exceptionally high standards and thoroughly tested using rigorous QA/QC protocols so you can be assured that your replacement rims will match, and in many cases exceed, the life of your OEM rims.

Equipment Placement offers a full inspection, repair and certification service, as well as supply of TRW replacement rims.

Product lines in TRW's range feature a number of advantages including seamless forged sections, machined flanges and O-ring grooves, integrated disc designs and optional heavy duty back designs.

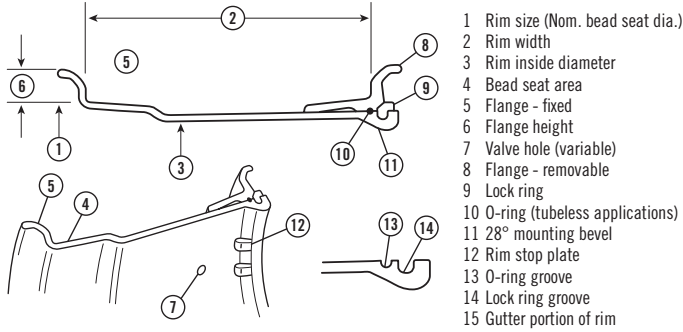
Wheels are available as 3, 5 or 7 piece to suit a wide range of equipment.





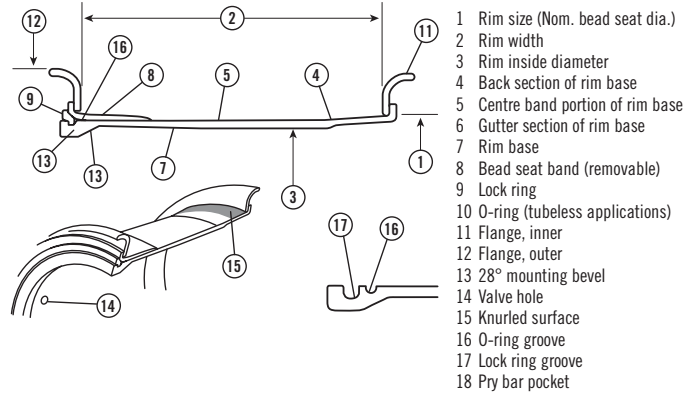
RIMS FOR MINING AND CONSTRUCTION EQUIPMENT

Three-piece rim



- 1 Rim size (Nom. bead seat dia.)
- 2 Rim width
- 3 Rim inside diameter
- 4 Bead seat area
- 5 Flange - fixed
- 6 Flange height
- 7 Valve hole (variable)
- 8 Flange - removable
- 9 Lock ring
- 10 O-ring (tubeless applications)
- 11 28° mounting bevel
- 12 Rim stop plate
- 13 O-ring groove
- 14 Lock ring groove
- 15 Gutter portion of rim

Five-piece rim



- 1 Rim size (Nom. bead seat dia.)
- 2 Rim width
- 3 Rim inside diameter
- 4 Back section of rim base
- 5 Centre band portion of rim base
- 6 Gutter section of rim base
- 7 Rim base
- 8 Bead seat band (removable)
- 9 Lock ring
- 10 O-ring (tubeless applications)
- 11 Flange, inner
- 12 Flange, outer
- 13 28° mounting bevel
- 14 Valve hole
- 15 Knurled surface
- 16 O-ring groove
- 17 Lock ring groove
- 18 Pry bar pocket

25" WHEELS

Piece	Rim Size	Tyre Size	Flange Height
3	25x10.00	13.22-25	1.5
		14.00-25	1.5
		385/95R25	1.5
	25x12.00	15.50-25	1.3
		550/65R25	1.3
	25x14.00	17.50-25	1.5
		445/85R25	1.5
		550/65R25	1.5
	25x17.00	20.50-25	1.7
		525/80R25	1.7
550/65R25		1.7	
25x30.00	67/34.00-25	1.5	
25x36.00	66/43.00-25	1.5	
	66/44.00-25	1.5	
5	25x11.25	16.00-25	2.0
		445/95R25	2.0
		505/95R25	2.5
	25x13.00	18.00-25	2.5
		505/95R25	2.5
	25x15.00	21.00-25	3.0
	25x17.00	24.00-25	2.0
	25x19.25	23.50-25	2.5
		25/65R25	2.0
		650/65R25	2.5
		600/65R25	2.5
		660/65R25	2.5
		25x20	25/65-25
	25x22.00	26.50-25	3.0
		650/65R25	3.0
		750/65R25	3.0
		800/65R25	3.0
		660/65R25	3.0
	25x24.00	750/65R25	3.0
		30/65-25	3.0
25x25.00	29.50-25	3.5	
	750/65R25	3.0	
	875/65R25	3.5	
25x36EM	1050/50R25	1.5	

29" – 45" WHEELS

Piece	Rim Size	Tyre Size	Flange Height	
5	29x17.00	24.00-29	3.5	
		26.50-29	3.0	
	29x24.00	775/65R29	3.0	
		775/65R29	3.5	
		29x25.00	29.50-29	3.5
		775/65R29	3.5	
	29x27.00	800/65R29	3.0	
		875/65R29	3.0	
		33.25R29	3.5	
	33x13.00	18.00-33	2.5	
		21/90R33	2.5	
	33x15.00	21.00R33	3.0	
		27.00-33	4.0	
	33x22.00	30.00-33	4.0	
		33x28.00	33.50-33	4.0
	33x32.00	33/65-33	3.5	
		875/65R33	3.5	
		33x32.00	37.25-33	4.5
	35x15.00	21.00-35	3.0	
	35x17.00	24.00-35	3.5	
	35x25.00	29.50-35	3.5	
	35x27.00	33.25-35	3.5	
		35x29.00	33.25-35	3.5
	35x31.00	37.25-35	3.5	
		37.25-35	4.0	
		39x28.00	33.50-39	4.0
	39x32.00	37.50-39	4.5	
45/65-39		4.5		
40/65-39		4.0		
40.5/75-39		4.5		
41.25/70-39		4.5		
39x36.00		45/65-39	4.5	
45x36.00		45/65-45	4.5	

49" – 63" WHEELS

Piece	Rim Size	Tyre Size	Flange Height
5	49x13	18.00-49	2.7
		21.00-49	3.0
	49x15	24.00-49	3.5
		27.00-49	4.0
	49x16	31/90R49	4.0
		49x19.5	31/90R49
	49x22	31/80R49	3.5
		51x22	30.00-51
	51x24	33.00-51	5.0
		51x26	36.00-51
	51x40	50.00-51	4.5
		50/65-51	4.5
	57x27	37.00-57	6.0
		57x29	40.00-57
	57x32	46/90R57	6.0
		46/90R57	6.0
	57x34	40.00R57	5.0
		44/80R57	5.0
	57x36	50/90R57	6.5
		50/90R57	6.0
	57x42	50/80R57	5.0
		55/80R57	5.0
	57x44	55/80R57	5.0
		55.5/80R57	6.0
	57x47	60/80R57	5.0
		57x52	65/65-57
	63x36	53/80-63	5.0
63x41		55/80-63	5.0